



**CHEMICAL  
CONTAINERS, INC.**

Chemical  
Containers, Inc.



October 2011



**“YOUR SPECIALISTS IN LIQUID HANDLING PRODUCTS”**

P.O. Box 1307 · Lake Wales, Florida 33859  
Local: (863) 638-1407 · Fax: (863) 638-1863

**Nationwide - 1-800-346-7867**

[www.chemicalcontainers.com](http://www.chemicalcontainers.com)

# The Chemical Containers Organization



**Chemical Containers, Inc.** is the largest and most diverse distributor in the South Eastern United States for all your liquid handling product needs. We stock a complete line of liquid storage and holding tanks made from top quality high density polyethylene for agricultural and industrial use.

**Sales.** Our sales staff is renowned for their innovative problem-solving capabilities.... whether providing start-up help for new projects, resolving existing problems, or making recommendations to help save future dollars... our sales staff are technical professionals in the liquid handling industry. For information about chemical compatibility or answers to your questions, just call us TOLL FREE NATIONWIDE: 1-800-346-7867, local, (863) 638-1407 or use our FAX: (863) 638-1863.

**Parts Department.** Stop by for over-the-counter pick-up of your parts or phone in your order. We stock a tremendous inventory; however, hard-to-find items or items not frequently requested are available by special order. All our tanks are backed by a 3 to 5 year warranty.

**Delivery.** We provide immediate delivery for most items in stock; some items are drop shipped direct from the manufacturer. Our delivery fleet provides extra help with many larger products. Shipping with Federal Express, UPS, Contract and Common Carriers can be arranged upon request.

**Custom Design.** Design, fabrication, and repair capabilities are some of the extra services we offer; our sales and service personnel will work with you to produce customized products to meet your special needs.

**Service Department.** Emergency help, weekend troubleshooting, polyethylene welding, service and repair in the field or in the shop.

**CHEMICAL CONTAINERS, INC.** Whether you need to store, pump, transport, mix or contain liquids, we'll help you get the job done. Call us TOLL FREE NATIONWIDE: 1-800-346-7867.

**Chemical Containers, Inc. - Your specialists in liquid handling products.**

Product pricing and specifications in this catalog are believed to be accurate at the time of publication. Chemical Containers does however, reserve the right to override information deemed to be in error.



# Vertical Storage Tanks



Our polyethylene water and chemical storage tanks out-perform the more expensive, traditional water storage systems for a variety of reasons. Because our tanks are rotationally molded, they are seamless and water tight. They will never rust or corrode and are nearly indestructible. Made of 100% virgin resin listed by the FDA for portable water storage, our polyethylene water tanks contain no colorants. All are efficiently lightweight for easy transportation and installation.

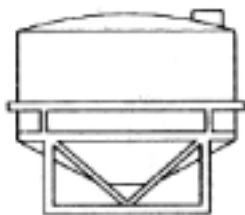
## POLYETHYLENE VERTICAL STORAGE TANKS

Part #	Gallons	Diameter	Height	Fill Opening	Price
T1007A	20	16"	48"	8"	\$134.00
T1008N	25	18"	29"	5"	\$130.00
T1009A	40	18"	43"	5"	\$150.00
T1010N	50	18"	53"	5"	\$187.00
T1012N	65	23"	43"	8"	\$221.00
T1014A	75	23"	50"	8"	\$230.00
T1016D	100	30"	36"	8"	\$423.00
T1018N	100	28"	43"	8"	\$315.00
T1020N	105	23"	63"	8"	\$333.00
T1024N	120	38"	29"	5"	\$357.00
T1026N	150	30"	56"	8"	\$420.00
T1028N	165	31"	56"	16"	\$433.00
T1030N	200	30"	72"	16"	\$517.00
T1032N	210	32"	69"	16"	\$533.00
T1040N	220	42"	41"	5"	\$462.00
T1046N	250	30"	89"	8"	\$602.00
T1047A	265	31"	88"	8"	\$606.00

## POLYETHYLENE VERTICAL STORAGE TANKS

Part #	Gallons	Diameter	Height	Fill Opening	Price
T1048N	300	36"	79"	16"	\$670.00
T1052N	305	46"	50"	16"	\$601.00
T1056R	330	47"	48"	16"	\$803.00
T1058A	425	42"	75"	8"	\$766.00
T1060N	500	48"	73"	16"	\$895.00
T1060AA	505	46"	80"	16"	\$908.00
T1068N	550	67"	44"	16"	\$864.00
T1070A	625	64"	50"	8"	\$827.00
T1071D	650	56"	68"	16"	\$1,333.00
T1072N	750	48"	103"	16"	\$1,284.00
T1076N	850	48"	118"	16"	\$1,425.00
T1076A	850	54"	92"	8"	\$1,340.00
T1086A	900	46"	132"	16"	\$1,561.00
T1088N	1000	64"	80"	16"	\$1,749.00
T1096N	1100	87"	53"	16"	\$1,365.00
T1100R	1200	86"	53"	16"	\$1,807.00
T1100A	1200	64"	94"	16"	\$1,921.00
T1104N	1500	64"	116"	16"	\$2,377.00
T1108N	1550	87"	67"	16"	\$1,769.00
T1112R	1700	86"	72"	16"	\$2,342.00
T1116A	2000	90"	84"	16"	\$2,631.00
T1116AA	2000	64"	165"	16"	\$3,181.00
T1120O	2025	64"	153"	16"	\$3,229.00
T1124N	2100	87"	89"	16"	\$2,827.00
T1125A	2150	102"	71"	16"	\$2,881.00
T1128N	2500	95"	91"	16"	\$3,035.00
T1128A	2500	90"	100"	16"	\$3,044.00
T1132N	3000	95"	109"	16"	\$3,735.00
T1136N	4000	102"	125"	16"	\$6,038.00
T1136A	4000	96"	140"	16"	\$5,879.00
T1138N	4200	102"	131"	16"	\$6,078.00
T1140N	5000	102"	152"	16"	\$8,169.00
T1144N	5500	138"	92"	16"	\$7,665.00
T1148N	6000	102"	182"	16"	\$9,487.00
T1152N	6100	120"	139"	16"	\$9,304.00
T1156N	6500	120"	150"	16"	\$9,689.00
T1156O	6500	102"	196"	16"	\$10,719.00
T1158N	7800	119"	176"	16"	\$12,328.00
T1159N	8400	119"	188"	16"	\$13,508.00
T1160N	9000	141"	144"	16"	\$13,407.00
T1164N	10000	141"	159"	16"	\$15,962.00
T1165N	10500	130"	202"	16"	\$16,953.00
T1168N	12000	144"	185"	16"	\$22,596.00
T1170N	15000	144"	244"	16"	\$32,854.00

# Closed Top Cone Bottom Tanks and Support Stands



These one piece tanks are molded from rugged high density polyethylene. They feature conical bottoms for quick and complete drainage. Designed for either indoor or outdoor service.



Items below ending in “ \* ” include Polyethylene stand.

## CONE BOTTOM STANDS

Part #	Fits Tank	Diameter	Clearance	Price
ST6308	15			\$250.00
ST6309	35			\$300.00
ST6309B	60			\$415.00
ST6309AS	30 & 60			\$122.00
ST6309C	85 & 110			\$218.00
ST6309A	1000			\$1,154.00
ST6309A	1490			\$1,154.00
ST6310	2500	96"	11"	\$3,924.00
ST6310	3000	96"	11"	\$3,924.00
ST6315	5500	120"	12"	\$7,455.00
ST6317	6000	102"	12"	\$4,858.00
ST6318	7500	142"	10"	\$9,979.00
ST6311A	1600	36"	12"	\$1,393.00
ST6314A	4900	102"	11"	\$2,144.00
ST6317A	6000	102"	12"	\$5,540.00

## Cone Bottom Mini-Bulk Tanks

These polyethylene tanks come with bases that allow stacking up to three high fully loaded. Forklift pockets are built in for easy loading/unloading. Both size tanks have 6" fill lids and bottom discharge.



## CONE BOTTOM STYLE MINI-BULK TANKS

Part #	Gallons	Diameter	Height	Price
T2026R*	110	44"	34"	\$987
T2038R*	220	44"	50"	\$1,221

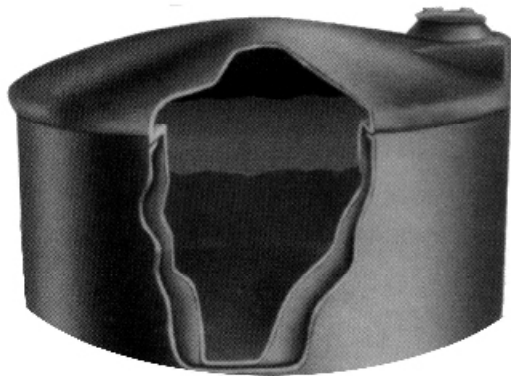
## POLYETHYLENE CONE BOTTOM TANKS

Part #	Gallons	Diameter	Height	Fill Opening	Price
T5042A	10	13"	21"	8"	\$123.00
T2004N	15	19"	25"	8"	\$131.00
T2007A	30	24"	26"	12"	\$167.00
T2008N	35	23"	27"	8"	\$165.00
T2009A	40	30"	34"	12"	\$240.00
T2015A	60	24"	39"	12"	\$225.00
T2015N	60	31"	31"	16"	\$234.00
T2020O	80	32"	34"	10"	\$348.00
T2021A	85	30"	44"	12"	\$327.00
T2025A	110	30"	51"	12"	\$385.00
T2026R*	110	44"	34"	6"	\$987.00
T2030A	150	36"	51"	12"	\$471.00
T2032N*	175	42"	49"	8"	\$983.00
T2037A	200	42"	54"	12"	\$599.00
T2038R*	220	44"	50"	6"	\$1,221.00
T2040D	250	47"	51"	16"	\$958.00
T2044N	300	49"	52"	16"	\$869.00
T2044N*	300	49"	61"	16"	\$1,508.00
T2045N*	310	43"	72"	8"	\$1,236.00
T2048D	400	47"	69"	16"	\$1,215.00
T2052N*	500	48"	85"	16"	\$1,871.00
T2052A	500	52"	81"	12"	\$966.00
T2058D	600	47"	91"	16"	\$1,375.00
T2062N*	750	72"	55"	16"	\$2,328.00
T2067A	1000	64"	98"	16"	\$1,730.00
T2068N*	1050	72"	85"	16"	\$2,530.00
T2070A	1490	64"	132"	16"	\$2,347.00
T2074N*	1600	88"	94"	16"	\$3,635.00
T2080N	2500	95"	105"	16"	\$3,177.00
T2082N*	2500	95"	114"	16"	\$5,324.00
T2086N	3000	95"	121"	16"	\$3,756.00
T2086N*	3000	95"	131"	16"	\$5,986.00
T2089A	4900	102"	159"	16"	\$8,214.00
T2090N	5500	119"	146"	16"	\$10,057.00
T2092N	6000	102"	195"	16"	\$10,541.00
T2094N	7500	141"	148"	16"	\$13,207.00

# Double Wall Tanks & Containment Basins

Heavy walled tanks designed to withstand rugged service. Open top for convenient mixing and filling, self supporting, translucent-visible content level, FDA approved material. Optional steel stands with corrosion resistant coating, or stainless steel, constructed stands are available.

The fluid containment basin is designed around the need for environmental protection and to meet federal and state requirements for the storage of chemicals.



## POLYETHYLENE CONTAINMENT BASINS

Part #	Gallons	Length	Width	Diameter	Height	Price
T6082D	90			44"	18"	\$369
T6084A	110	55"	31"		25"	\$189
T6088D	110	72"	36"		12"	\$506
T6090A	150	75"	31"		25"	\$307
T6092D	175	48"	48"		18"	\$560
T6096D	240	48"	65"		18"	\$768
T6103AG	320			72"	24"	\$428
T6104D	350	68"	68"		18"	\$1,115
T6108D	400			78"	23"	\$1,094
T6112D	450			70"	30"	\$1,119
T6091A	610	96"	24"			\$659
T6116C	675			66"	46"	\$2,443
T6117C	675			82"	30"	\$2,443
T6124D	690	106"	58"		26"	\$1,640
T6124A	690	108"	72"		24"	\$1,052
T6125P	700			96"	72"	\$2,586
T6128CB	950			86"	38"	\$2,556
T6128A	1150	73"	73"		66"	\$1,953
T6136C	1150	72	72		66"	\$4,113
T6139A	1200			86"	56"	\$1,504
T6152CB	1500			86"	60"	\$5,226
T6140A	1650	84"	84"		60"	\$2,454
T6156CG	1800			118"	48"	\$6,954
T6160CB	1800	84"	84"		60"	\$6,954
T6164NG	2000			139"	36"	\$2,691
T6168CB	2075	96"	96"		62"	\$7,123
T6161A	2075	96"	96"		62"	\$3,536
T6169A	2200			90"	83"	\$2,727
T61695A	2275	96	96		68"	\$4,099
T6170N	2800			102"	104"	\$3,949
T6172P	3350			144"	50"	\$3,384
T6176T	3500	218"	108"		40"	\$10,126

## DOUBLE WALL STORAGE TANKS

Part #	Gallons	Dia.	Height	Fill Opening	Price
T7004RDBL	18	21"	21"	8"	\$321.00
T7008RDBL	35	21"	34"	8"	\$598.00
T7012RDBL	65	26"	35"	8"	\$724.00
T7016PDBL	105	36"	42"	5"	\$1,596.00
T7020RDBL	120	32"	44"	8"	\$593.00
T7024PDBL	160	36"	59"	5"	\$2,006.00
T7030PDBL	540	77"	48"	10"	\$5,313.00
T7034PDBL	1000	77"	79"	19"	\$7,862.00
T7040PDBL	1550	96"	84"	19"	\$9,707.00
T7046PDBL	2500	96"	119"	19"	\$17,807.00
T7050PDBL	3150	122"	92"	24"	\$23,024.00
T7060PDBL	4400	122"	118"	24"	\$28,655.00
T7066PDBL	5400	143"	117"	24"	\$31,661.00
T7080PDBL	8700	143"	174"	24"	\$54,355.00

# Cone Bottom Mix Tanks and Support Stands



55 Gallon cone bottom tank with custom stand, mixer bracket, 3/4 H.P. mixer, & chemical feed pump

## Complete Cone Bottom Mix Tanks

With steel support stands, mixer support brackets and 115V mixer with 316 stainless steel shaft and propeller.

## SUPPORT STANDS WITH AGITATOR MOUNTS

Part #	Gallons	Price
ST6309	35	\$300
ST6580	55	\$606
ST6582	100	\$745
ST6584	147	\$745
ST6588	250	\$854
ST6590	500	\$1,329

### Support Stands With Agitator Mount

Carbon steel corrosion resistant coating-agitator support bracket standard, 16" clearance from floor, stainless steel construction available.

## COMPLETE MIX STATIONS

Part #	Diameter	Height	Price
35	26"	43"	\$885.00
55	26"	55"	\$1,415.00
100	22"	60"	\$1,819.00
147	33"	69"	\$2,296.00
250	44"	56"	\$2,396.00
500	55"	80"	\$3,496.00

## CONE BOTTOM TANKS

Part #	Gallons	Diameter	Height	Price
T2008N	35	23"	27"	\$165.00
T2530C	55	22"	36"	\$322.00
T2540C	100	30"	36"	\$691.00
T2550U	147	31"	53"	\$789.00
T2560C	250	42"	46"	\$1,268.00
T2570C	500	52"	64"	\$2,989.00

Cone bottom tanks allow complete drainage of liquids, high chemical and impact resistance, easy cleaning with smooth interior. FDA approved material, translucent-visible content level, 20° cone.

The tank features a cover assembly and outlet for complete drainage. The stand allows 16" clearance from the bottom of the tank outlet to the floor. Our 115V mixer is standard with a 1/3 HP electric motor, on-off switch, 8' electric cord with plug, 316 stainless steel shaft and 4" impeller.

# Septic Tanks and Below Ground Cistern Tanks

Our below ground cisterns feature the same rugged, ribbed design found in our septic tanks. Cisterns are ideal for instances when drinking water must be hauled in, or when a well just doesn't meet consumption needs. Bulkhead fittings are available in full range of sizes to help adapt the cistern to suit specific needs or applications.

## POLYETHYLENE SEPTIC TANKS

Part#	Gallons	Length	Width	Height	Height to inlet	Height to outlet	Price
T6020N	300	Sphere	54"	51"	44½"	42½"	\$1,051
T6026N	500	101"	51"	42"	36"	33"	\$1,447
T6036N	1000	102"	60"	58"	51¼"	48¼"	\$2,651
T6044N	1500	133"	55"	66"	57"	54"	\$3,765



For septic system replacements and new home construction, polyethylene septic tanks are designed for both durability and quick easy installation. Any septic tank can be transported to the job in a pickup truck and carried by two men. Contractors can pick up

tank, pipe and fittings in one trip, and install the tank on schedule because there's no waiting for the tank to be delivered. Because our polyethylene septic tanks are rotationally molded they are seamless and water tight with no joints or seams to leak.

## POLYETHYLENE BELOW GROUND CISTERN TANKS

Part#	Gallons	Length	Width	Height	Manhole Diameter	Price
T6046N	325	Sphere	54"	51"	20"	\$1,126.00
T6048N	600	101"	51"	42"	20"	\$1,871.00
T6052N	1200	102"	60"	58"	20"	\$2,840.00
T6058N	1700	135"	55"	66"	20"	\$4,182.00
T6059N	2500	158"	98"	53"	20"	\$7,406.00

# Polyethylene Elliptical Tanks



## Elliptical Leg Tanks

This elliptical leg tank style is designed to provide the greatest capacity with the lowest center of gravity, making it the best design for transporting larger volumes. Elliptical tanks feature molded-in legs that act as “baffles” to reduce sloshing and provide increased stability during transport.

## POLYETHYLENE ELLIPTICAL LEG TANKS

Part #	Gallons	Width	Length	Height	Fill Opening	# of Bands	Price
T3130N	335	48"	71"	33"	16"	2	\$827.00
T3140A	510	57"	80"	39"	16"	2	\$1,137.00
T3140N	535	57"	80"	39"	16"	2	\$1,151.00
T3144N	1035	79"	89"	53"	16"	3	\$2,004.00
T3152N	1635	71"	142"	57"	16"	4	\$3,651.00
T3156N	2035	84"	142"	55"	16"	4	\$4,753.00
T3160N	2635	90"	140"	71"	16"	4	\$6,527.00
T3164N	3135	88"	151"	76"	16"	4	\$7,648.00
T3168N	4035	92"	192"	77"	16"	4	\$12,054.00

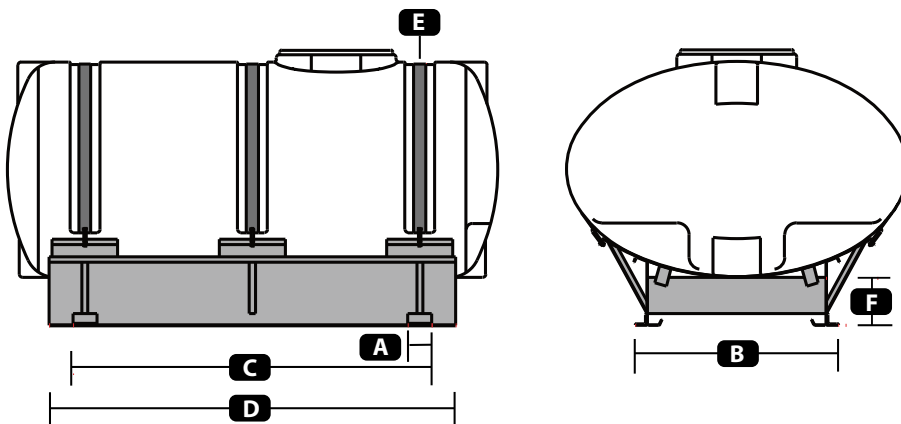


## POLYETHYLENE ELLIPTICAL TANKS

Part #	Gallons	Diameter	Length	Height	Fill Opening	Price
T8008N	200	40"	66"	30"	8"	\$632.00
T8012N	300	48"	70"	32"	8"	\$821.00
T8016N	500	57"	82"	38"	16"	\$1,146.00
T8020N	750	69"	88"	44"	16"	\$1,573.00
T8024N	1000	78"	90"	51"	16"	\$2,015.00
T8025N	1600	78"	138"	49"	16"	\$3,703.00
T8026N	2550	88"	142"	69"	16"	\$5,994.00

## ELLIPTICAL TANK SKIDS

Part #	Tank Size	B	D	# of Bands	Price
ST6603	200	24"	57"	2	\$667.00
ST6605	300	34"	54"	2	\$739.00
ST6610	500	34"	68"	3	\$1,030.00
ST6615	750	38"	78"	3	\$1,423.00
ST6620	1000	46"	72"	3	\$1,611.00



# Horizontal Tanks, Bases and Bands



## Horizontal Leg Tanks

Used primarily for transport and nursing applications, leg tanks feature molded-in legs that act as "baffles" to reduce sloshing.

## HORIZONTAL TANK BANDS

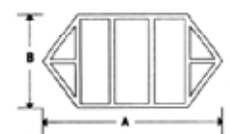
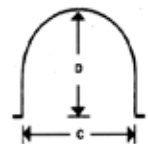
Part #	Tank Size	Required	C	D	Price
ST6010	35	2	19"	19"	\$25.00
ST6020	65	2	22¼"	22¼"	\$39.00
ST6030	125	2	31¼"	31¼"	\$48.00
ST6040	225	2	36¾"	36¾"	\$84.00
ST6040	325	2	36¾"	36¾"	\$84.00
ST6210	425	2	47½"	47½"	\$97.00
ST6210	525	2	47½"	47½"	\$97.00
ST6210	725	3	47½"	47½"	\$97.00
ST6130	1035E	3	77"	48"	\$139.00
ST6210	1025	4	47½"	47½"	\$97.00
ST6222	1325	3	64"	65"	\$142.00
ST6300	1625	4	60¾"	60¾"	\$164.00
ST6260	1635E	4	68"	51"	\$138.00
ST6303	2035E	4	82"	49"	\$220.00
ST6301	2635E	4	87½"	65¼"	\$350.00
ST6301A	3135E	4	85½"	74"	\$371.00
ST6301B	4035E	4	89"	75"	\$384.00
ST6301C	5025	5	89½"	90"	\$531.00
ST6302	2635E	LADDER			\$378.00
ST6010A	35	SET			\$42.00
ST6020A	65	SET			\$42.00
ST6030A	125	SET			\$95.00
ST6030A	165	SET			\$95.00
ST6040A	225	SET			\$85.00
ST6041A	335	SET			\$107.00
ST6125A	510	SET			\$343.00
ST6210A	535	SET			\$114.00
ST6211A	735	SET			\$332.00
ST6131A	1065	SET			\$490.00

## POLYETHYLENE HORIZONTAL LEG TANKS

Part #	Gallons	Diameter	Length	Fill Opening	# of Bands	Price
T3004N	35	20"	29"	5"	2	\$148.00
T3004A	35	18"	34"	5"	2	\$139.00
T3008N	65	23"	43"	5"	2	\$275.00
T3008A	65	24"	39"	5"	2	\$271.00
T3012N	125	32"	41"	8"	2	\$446.00
T3012A	125	32"	40"	8"	3	\$445.00
T3002A	165	32"	54"	8"	3	\$551.00
T3016N	225	38"	49"	8"	2	\$641.00
T3016A	225	38"	52"	8"	3	\$644.00
T3020N	325	38"	68"	16"	2	\$792.00
T3022A	335	44"	56"	16"	3	\$794.00
T3021N	425	49"	60"	16"	2	\$943.00
T3024N	525	49"	71"	16"	2	\$1,100.00
T3025A	535	48"	78"	16"	3	\$1,093.00
T3028N	725	49"	101"	16"	3	\$1,660.00
T3029A	735	48"	103"	16"	3	\$1,683.00
T3032N	1025	49"	139"	16"	4	\$2,275.00
T3033A	1065	58"	106"	16"	3	\$2,229.00
T3033N	1325	66"	99"	16"	4	\$2,772.00
T3036N	1625	63"	134"	16"	4	\$3,858.00
T3037N	5025	92"	190"	16"	5	\$14,730.00

## HORIZONTAL TANK BASES

Part #	Tank Size	A	B	Price
ST6080	35			\$113.00
ST6085	65			\$121.00
ST6090	125			\$314.00
ST6095	225			\$371.00
ST6100	325	64"	42 ¾"	\$459.00
ST6110	525	67"	53 ¾"	\$552.00
ST6120	725	96"	53 ¾"	\$608.00
ST6200	1025	133"	53 ¾"	\$982.00
ST6140	1035E	83"	83 ¾"	\$841.00
ST6233	1325	99"	66"	\$956.00
ST6241	2035E	142"	84"	\$1,084.00
ST6250	2635E	140"	92"	\$1,104.00

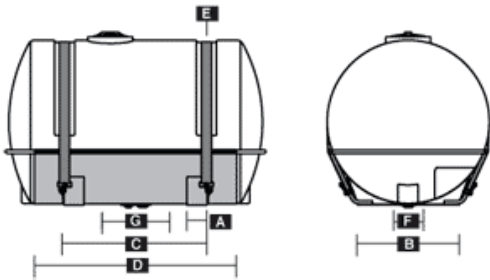


# Applicator Tanks and Saddles

Whether you're looking for a new or replacement tank, chances are you'll find it in the Chemical Containers line. These rugged polyethylene Chemical Containers tanks will take all the tough knocks fieldwork gives them. They're corrosion resistant and lightweight with no seams, welds or joints to leak or rust. Uniquely designed sealant system on lids will eliminate excessive loss of material.

## HORIZONTAL APPLICATOR TANKS

Part #	Gallons	Diameter	Length	Fill Opening	Drain	Price
T4012N	12	14"	12" / 18"	5"	¾"	\$120.00
T4016N	14	13½"	31"	5"	¾"	\$134.00
T4020N	20	15"	28"	5"	¾"	\$135.00
T4028N	30	23"	22"	5"	¾"	\$131.00
T4032N	55	23"	34"	8"	¾"	\$199.00
T4036N	85	23"	52"	5"	¾"	\$329.00
T4040A	95	24"	56"	5"	¾"	\$334.00
T4044N	110	30"	42"	8"	1¼" + 1¼"	\$344.00
T4048N	150	32"	46"	8"	1¼" + 1¼"	\$412.00
T4056N	200	32"	62"	8"	1¼" + 1¼"	\$507.00
T4060N	200	38"	47"	8"	1¼" + 1¼"	\$507.00
T4072N	300	38"	68"	8"	1¼" + 1¼"	\$663.00
T4076N	400	42"	73"	8"	1¼" + 1¼"	\$951.00
T4080N	500	48"	75"	8"	1¼" + 1¼"	\$922.00



## HORIZONTAL APPLICATOR TANK STEEL SADDLES

Part#	Tank Size	A	B	C	D	E	Weight (LBS)	Price
ST6330	30	13½"	19"	24"	3"	2" x 54"	16	\$179.00
ST6340	55	6"	18"	24"	6"	2" x 48"	18	\$214.00
ST6410	110 & 150-32"	12"	23¾"	33"	6"	2" x 72"	44	\$337.00
ST6430	200-38"	12"	27¼"	40"	6"	2" x 76"	54	\$421.00

## APPLICATOR SADDLES & CRADLES

Part#	Tank Size	A	B	C	D	E	F	G	H	Weight (LBS)	Price
ST6420	200-32"	6"	23"	34"	6"	2" x 64"	8"	14"	48"	52	\$615.00
ST6440	300-38"	12"	27¼"	42"	6"	2" x 76"	8"	14"	60"	90	\$745.00
ST6500	400-42"	12"	34¼"	48"	6"	2" x 82"	8"	14"	60"	100	\$790.00
ST6510	500-48"	12"	34¼"	48"	6"	2" x 96"	8"	14"	60"	106	\$736.00

Support sections include two curved sections with bands for one tank, which lets you mount it on your own equipment. Cradles are ideal for replacement tank support. The cradles come with a pre-stamped hole, designed to fit the sump.

## SLIMLINE SPACE SAVER TANKS

Part #	Gallons	Width	Length	Price
T4052N	150	28"	40" / 50"	\$516.00
T4064A	200	24"	46" / 61"	\$591.00
T4068A	250	24"	51" / 61"	\$680.00

## SLIMLINE SPACE SAVER SADDLES

Part #	Gallons	Price
ST6421	200	\$684.00
ST6425A	250	\$677.00

- Cut away style for better visibility and easy access to tractor cab. Also suited for trailer mounting when space is limited.
- Bottom sump for drainage.
- Molded in gallonage indicator.
- 8" fill opening.



# Polyethylene Pest Control, Transport & Loaf Tanks



These tanks are rotationally molded polyethylene with a ribbed design for extra strength. The standard color is white-UV inhibitors are added for protection against sunlight (optional colors available in large quantities). These tanks standard features include a 8" fill well and splash guard cover, two flat spots on tank ends for mechanical or jet agitation and are available with bulkhead or poly spin weld fittings. They are ideal for agricultural, nursery, lawn care and commercial turf sprayers.

## POLYETHYLENE LOAF TANK

Part #	Gallons	Length	Width	Height	Price
T5034R	6	16"	12"	8"	\$111.00
T5052R	12	23"	14"	10"	\$146.00
T5058R	13	20"	17"	9"	\$123.00
T5066R	14	20"	18"	9"	\$131.00
T5088R	15	23"	14"	12"	\$153.00
T5094R	15	27"	14"	10"	\$149.00
T5102R	20	22"	19"	11"	\$176.00
T5116R	20	26"	14"	13"	\$150.00
T5124R	21	34"	12"	12"	\$191.00
T5132R	21	36"	20"	7"	\$211.00
T5152R	28	50"	16"	8"	\$253.00
T5154R	29	30"	20"	12"	\$253.00
T5166R	31	30"	24"	10"	\$279.00
T5174R	35	48"	17"	10"	\$339.00
T5192R	50	36"	18"	18"	\$312.00
T5198R	61	35"	27"	15"	\$408.00
T5206R	65	73"	32"	6"	\$601.00

## PEST CONTROL TANKS

Part #	Gallons	Length	Width	Height	Price
T5520N	30	25"	19"	20"	\$211.00
T5530A	50	38"	19"	20"	\$232.00
T5540A	100	38"	30"	26"	\$376.00
T5550A	150	48"	37"	26"	\$458.00
T5560A	200	48"	36"	35"	\$569.00
T5570A	300	69"	36"	35"	\$1,187.00

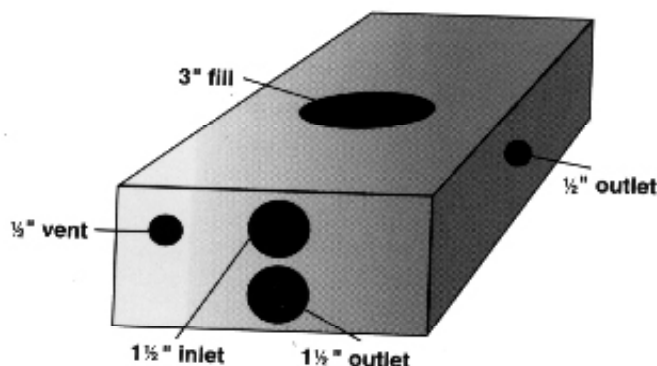
This one-piece, molded polyethylene tank is designed for economy. The low profile, flat bottom rectangular design saves space and does not need stands or cradles for support. The tank comes complete with an 8" anti-surge vented fill cap and molded-in calibrations.

## TRANSPORT TANKS

Part #	Gallons	Length	Width	Height	Fill	Price
T5191A	45	37"	18"	18"	5"	\$183.00
T9620R	50	38"	26"	13"	8"	\$367.08
T5192A	50	38"	19"	20"	8"	\$232.00
T5245A	100	43"	27"	26"	8"	\$366.00
T9640R	110	38"	26"	26"	8"	\$546.00
T9640A	110 (low profile)	48"	35"	17"	5"	\$427.00
T5252A	150	48"	36"	25"	8"	\$428.00
T9680R	300	62"	42"	29"	8"	\$829.00

Loaf tanks are molded, noncorrosive polyethylene with one-piece seamless construction. Although extremely strong and durable, these tanks weigh only a fraction of aluminum or stainless and are unaffected by electrolysis or corrosion. Water tanks meet F. D. A. standards for potable water use.

POLYETHYLENE LOAF TANKS



\*These tanks do not include lids or fittings. Please refer to page 12 for fitting types and lids.

## SPOT SPRAYER TANKS

Part #	Gallons	Price
T4016R	14	\$123.00
T4017A	15	\$97.00
T4024A	25	\$131.00
T4024R	25	\$143.00
T4029A	40	\$127.00
T4035A	60	\$168.00



# Specialty Tanks



## SPECIALTY TANKS

Part #	Type	Gallons	Length	Width	Height	Fill	Price
T9680A	Dock Float		48"	24"	12"		\$216.00
T5174A	Total Drain	35	28"	19"	20"	5"	\$163.00
T5198A	Total Drain	56	38"	20"	26"	5"	\$235.00
T9689A	Free Standing	250	62"	29"	42"	16"	\$776.00
T9687N	Free Standing	300	48"	29"	62"	16"	\$1,017.00
T9690A	Free Standing	400	62"	29"	66"	16"	\$1,269.00
T9691N	Free Standing	500	31"	70"	74"	16"	\$1,444.00
T9890N	Low Profile	1250	130"	81"	38"	16"	\$2,752.00
T9891N	Low Profile	1500	130"	81"	44"	16"	\$3,287.00
T9700N	Horizontal Box	2400	150"	90"	53"	16"	\$4,760.00

## TOTAL DRAIN TANKS

Part #	Gallons	Length	Width	Height	Fill	Price
T5025ATD	2.5	7"	15"	14"	5"	\$60.00
T5027A	4	11"	11"	15"	5"	\$88.00
T5028A	5	11"	11"	20"	5"	\$66.00
T5042A	10	13"	13"	21"	5"	\$123.00
T5174A	35	28"	19"	20"	5"	\$163.00
T5198A	56	38"	20"	26"	5"	\$235.00



## OPEN TOP CYLINDRICAL TANKS AND COVERS



Tanks					Covers	
Part #	Gallons	Diameter	Height	Price	Part #	Price
T60199C	7	10"	21"	\$121	T60199CA	\$25
T60240C	15	15"	19"	\$105	T60240CA	\$25
T60260C	17	18"	15"	\$139	T60260CA	\$37
T60280C	30	18"	29"	\$184	T60280CA	\$40
T60320C	36	15"	48"	\$420	T60320CA	\$25
T60360C	55	23"	34"	\$269	T60360CA	\$57
T60400C	70	24"	36"	\$780	T60400CA	\$57
T60440C	90	24"	48"	\$461	T60440CA	\$64
T60480C	100	28"	42"	\$577	T60480CA	\$88
T60561C	125	36"	30"	\$1,256	T60561CA	\$120
T60600C	150	31"	48"	\$747	T60600CA	\$107
T60680C	210	36"	48"	\$860	T60680CA	\$137
T60720C	275	42"	48"	\$1,080	T60720CA	\$175
T60500C	330	45"	48"	\$2,534	T60500CA	\$435
T60520C	360	48"	48"	\$1,312	T60520CA	\$247
T60530C	500	52"	60"	\$2,109	T60530CA	\$306
T60540C	600	48"	84"	\$4,489	T60540CA	\$289
T60560C	1200	69"	84"	\$4,880	T60560CA	\$806

# Bulkhead Fittings



316 SS Bolted Fitting



Poly Bolted Fitting



Spinweld Fitting



Bulkhead Fitting



Self-Aligning PVC Fitting



Poly Coupling

## BOLTED TANK FITTINGS

Part #	Size	Thread	Material	Price
TA3000	1/2"	FPT x FPT	Polypropylene	\$27.00
TA3000A	1/2"	FPT x FPT	316 Stainless	\$243.89
TA3010	3/4"	FPT x FPT	Polypropylene	\$25.25
TA3010A	3/4"	FPT x FPT	316 Stainless	\$250.19
TA3011A	1"	FPT x FPT	316 Stainless	\$187.65
TA3020	1"	FPT x FPT	Polypropylene	\$29.59
TA3030	1 1/2"	FPT x FPT	Polypropylene	\$29.05
TA3040	2"	FPT x FPT	Polypropylene	\$28.00
TA3050	3"	FPT x FPT	Polypropylene	\$87.50
TA3058A	3/4"	MPT x MPT	316 Stainless	\$187.40
TA3059A	1"	MPT x MPT	316 Stainless	\$143.89
TA3060	1 1/2"	MPT x Antivortex	316 Stainless	\$170.00
TA3060A	1 1/2"	FPT x FPT	316 Stainless	\$166.45
TA3061A	2"	MPT x Antivortex	316 Stainless	\$212.69
TA3062	3"	MPT x Antivortex	316 Stainless	\$266.00
TA3063A	4"	MPT x Antivortex	316 Stainless	\$394.83
TA3070	1 1/2"	FPT x Antivortex	316 Stainless	\$205.00
TA3072	3"	FPT x Antivortex	316 Stainless	\$381.00
TA3079	2"	MPT x MPT	316 Stainless	\$237.00
TA3080	3"	MPT x MPT	316 Stainless	\$480.00
TA3085	3/4"	MPT x FPT	316 Stainless	\$110.00
TA3086	1"	MPT x FPT	316 Stainless	\$118.00
TA3092	1 1/2"	FPT x FPT	316 Stainless	\$134.52
TA3093	2"	FPT x FPT	316 Stainless	\$256.00
TA3095	4"	FPT x FPT	316 Stainless	\$785.00

## POLYETHYLENE SPINWELD TANK FITTINGS

Part #	Size	Thread	Material	Type	Price
TA4000	"	Spin Weld x FPT	Polyethylene	SpinWeld	\$5.00
TA4001HD	1/2"	Spin Weld x FPT	Polyethylene	SpinWeld	\$5.00
TA4002	3/4"	Spin Weld x FPT	Polyethylene	SpinWeld	\$6.25
TA4003	1"	Spin Weld x FPT	Polyethylene	SpinWeld	\$7.50
TA4004	1 1/2"	Spin Weld x FPT	Polyethylene	SpinWeld	\$7.55
TA4005	2"	Spin Weld x FPT	Polyethylene	SpinWeld	\$8.75
TA4006	3"	Spin Weld x FPT	Polyethylene	SpinWeld	\$11.30

## SELF ALIGNING BULKHEAD TANK FITTINGS

Part #	Size	Thread	Material	Price
TA1201A	1"	FPT x FPT	PVC	\$173.95
TA1206A	2"	FPT x FPT	PVC	\$224.75
TA1209A	3"	FPT x FPT	PVC	\$363.40
TA1206N	2"	FPT x FPT	P/Pro	\$109.00

## BULKHEAD TANK FITTINGS

Part #	Size	Thread	Material	Price
TA1105	1/2"	FPT x FPT	PVC	\$25.70
TA1107	3/4"	FPT x FPT	PVC	\$26.99
TA1110	1"	FPT x FPT	PVC	\$42.75
TA1112	1 1/4"	FPT x FPT	PVC	\$55.72
TA1115	1 1/2"	FPT x FPT	PVC	\$61.75
TA1120	2"	FPT x FPT	PVC	\$82.25
TA1130	3"	FPT x FPT	PVC	\$157.00
TA1140	4"	FPT x FPT	PVC	\$296.00
TA1199	1/2"	FPT x FPT	Polypropylene	\$10.00
TA1200	3/4"	FPT x FPT	Polypropylene	\$11.00
TA1201	1"	FPT x FPT	Polypropylene	\$13.00
TA1203	1 1/4"	FPT x FPT	Polypropylene	\$11.00
TA1205	1 1/2"	FPT x FPT	Polypropylene	\$14.00
TA1206	2"	FPT x FPT	Polypropylene	\$13.00
TA1207	2"	FPT x FPT	Heavy Duty	\$22.00
TA1209	3"	FPT x FPT	Polypropylene	\$42.00
TA1207A	2"	FPT x FPT	P/pro Siphon Tube	\$13.00
TA1211	4"	FPT x FPT	Polypropylene	\$135.00
TA1210A	3"	FPT x FPT	P/pro Siphon Tube	\$15.00
TA1160	6"	FPT x FPT	PVC	\$522.52

## POLYETHYLENE COUPLING TANK FITTINGS

Part #	Size	Thread	Material	Type	Price
TA4007	1/2"	Weld x FPT	Polyethylene	Full Coupling	\$40.00
TA4007A	3/4"	Weld x FPT	Polyethylene	Full Coupling	\$50.00
TA4008	1"	Weld x FPT	Polyethylene	Full Coupling	\$55.00
TA4008B	1 1/4"	Weld x FPT	Polyethylene	Full Coupling	\$80.00
TA4009	1 1/2"	Weld x FPT	Polyethylene	Full Coupling	\$85.00
TA4010	2"	Weld x FPT	Polyethylene	Full Coupling	\$100.00
TA4011	3"	Weld x FPT	Polyethylene	Full Coupling	\$170.00
TA4012	4"	Weld x FPT	Polyethylene	Full Coupling	\$210.00
TA4007B	1/2"	Weld x FPT	Polyethylene	Half Coupling	\$35.00
TA4007C	3/4"	Weld x FPT	Polyethylene	Half Coupling	\$45.00
TA4008A	1"	Weld x FPT	Polyethylene	Half Coupling	\$50.00
TA4008C	1 1/4"	Weld x FPT	Polyethylene	Half Coupling	\$65.00
TA4009A	1 1/2"	Weld x FPT	Polyethylene	Half Coupling	\$70.00
TA4010A	2"	Weld x FPT	Polyethylene	Half Coupling	\$80.00
TA4011A	3"	Weld x FPT	Polyethylene	Half Coupling	\$140.00
TA4012A	4"	Weld x FPT	Polyethylene	Half Coupling	\$175.00

# Tank Accessories

## TANK LIDS

Part #	Size	Type	Price
TL4700	16"	Lid with Ring and Vent	\$46.00
TL4800	16"	Lid with Vent	\$37.00
TL4900	16"	Lid Ring	\$13.00
TL5025	16"	Lid Vent	\$15.00
TL4200	8"	Lid with Ring and Vent	\$30.00
TL4300	8"	Lid with Vent	\$22.00
TL4400	8"	Lid Ring	\$10.00
TL4000	5"	Lid with Check	\$19.00
TL4100	5"	Lid with Check	\$78.00
TL5501	20"	Septic Lid	\$48.00



Polypropylene Tank Lid



PVC Flange



PVC Ball Valve



PVC Gate Valve

At Chemical Containers, we have the ability to place tank fittings in the appropriate place on your tank to customize your piping and containment needs. We complete all of our custom work with the level of excellence that industry professionals have come to trust.

## TANK ACCESSORIES

Part #	Size	Thread	Material	Type	Price
D387	1"	FPT	PVC	Flange	\$21.01
D388	1¼"	FPT	PVC	Flange	\$28.96
D389	1½"	FPT	PVC	Flange	\$33.10
D390	2"	FPT	PVC	Flange	\$40.64
D392	3"	FPT	PVC	Flange	\$90.45
D393	4"	FPT	PVC	Flange	\$150.60
D375	1"	SLIP	PVC	Flange	\$16.28
D376	1¼"	SLIP	PVC	Flange	\$16.77
D377	1½"	SLIP	PVC	Flange	\$21.55
D378	2"	SLIP	PVC	Flange	\$22.81
D380	3"	SLIP	PVC	Flange	\$45.25
D381	4"	SLIP	PVC	Flange	\$51.55
V130	½"	FPT	PVC	Ball Valve	\$19.86
V131	¾"	FPT	PVC	Ball Valve	\$24.64
V132	1"	FPT	PVC	Ball Valve	\$28.95
V133	1¼"	FPT	PVC	Ball Valve	\$54.29
V134	1½"	FPT	PVC	Ball Valve	\$61.13
V135	2"	FPT	PVC	Ball Valve	\$73.24
BV050	½"	FPT	Polypropylene	Ball Valve	\$38.52
BV075	¾"	FPT	Polypropylene	Ball Valve	\$38.52
BV100	1"	FPT	Polypropylene	Ball Valve	\$38.52
BV125	1¼"	FPT	Polypropylene	Ball Valve	\$42.48
BV150	1½"	FPT	Polypropylene	Ball Valve	\$54.60
BV200	2"	FPT	Polypropylene	Ball Valve	\$54.60
BV300	3"	FPT	Polypropylene	Ball Valve	\$123.78
V332	½"	FPT	316 SS	Ball Valve	\$34.89
V333N	¾"	FPT	316 SS	Ball Valve	\$39.50
V334N	1"	FPT	316 SS	Ball Valve	\$76.47
V335	1¼"	FPT	316 SS	Ball Valve	\$68.00
V336	1½"	FPT	316 SS	Ball Valve	\$94.95
V337	2"	FPT	316 SS	Ball Valve	\$125.00
V338	3"	FPT	316 SS	Ball Valve	\$473.85
V200	½"	FPT	PVC	Gate Valve	\$22.85
V201	¾"	FPT	PVC	Gate Valve	\$29.90
V202	1"	FPT	PVC	Gate Valve	\$41.20
V203	1¼"	FPT	PVC	Gate Valve	\$34.56
V204	1½"	FPT	PVC	Gate Valve	\$74.45
V205	2"	FPT	PVC	Gate Valve	\$60.15

# Couplers, Adapters and Strainers



## CAM ACTION COUPLERS

1/2"		3/4"		1"		1 1/4"		1 1/2"		2"		3"	
Part #	Cost	Part #	Cost	Part #	Cost	Part #	Cost	Part #	Cost	Part #	Cost	Part #	Cost
B050A	\$5.07	B075A	\$5.07	B100A	\$5.07	B125A	\$5.07	B150A	\$5.76	B200A	\$6.79	B300A	\$16.40
B050B	\$11.59	B075B	\$11.59	B100B	\$13.32	B125B	\$13.32	B150B	\$15.61	B200B	\$19.01	B300B	\$31.95
B050C	\$11.59	B075C	\$11.59	B100C	\$13.32	B125C	\$13.32	B150C	\$15.61	B200C	\$19.01	B300C	\$31.95
B050D	\$11.59	B075D	\$11.59	B100D	\$13.32	B125D	\$13.32	B150D	\$15.61	B200D	\$19.01	B300D	\$31.95
B050E	\$5.48	B075E	\$5.48	B100E	\$6.08	B125E	\$6.08	B150E	\$6.10	B200E	\$8.01	B300E	\$21.01
B050F	\$5.48	B075F	\$5.48	B100F	\$6.08	B125F	\$6.08	B150F	\$6.10	B200F	\$8.01	B300F	\$21.01
B050CAP	\$11.59	B075CAP	\$11.59	B100CAP	\$12.79	B125CAP	\$12.18	B150CAP	\$15.61	B200CAP	\$19.01	B300CAP	\$31.95
B050PL	\$5.48	B075PL	\$5.48	B100PL	\$5.27	B125PL	\$5.02	B150PL	\$5.89	B200PL	\$7.95	B300PL	\$16.66

## 90 DEGREE CAM ACTION COUPLERS

Part #	Price
B150A90	\$9.08
B200A90	\$10.36
B150C90	\$18.70
B200C90	\$23.19
B150D90	\$18.70
B200D90	\$23.19
B150F90	\$10.88
B200F90	\$11.67

90 A



90 C



90 D



90 F



- Manufactured from glass reinforced polypropylene.
- Smooth Operating 304 Stainless Steel cam arms and pins.
- Pressure rating 1/2" - 2" 125 PSI, 3" 100 PSI.
- Standard with EPDM gaskets, Viton Available.
- Interchangeable with other couplers and adapters.

## BASKET STRAINERS

Part #	Size	Cost
TL3050	8"	\$30.82
TL3052	10"	\$85.00
TL3051	16"	\$38.51



We stock a huge assortment of Strainers and screen meshes, in a variety of configurations for virtually any application. Give our expert sales staff a call and let them help you choose which is right for your needs.

# Polypropylene Ball Valves

## 2" STANDARD PORT BALL VALVES



BVSFHB200

Part #	Fitting	Max PSI	Opening Thru Ball	Cost
BVSF200	2" Male Adapter x 2" Female NPT	100	1½"	\$60.11
BVSMT200	2" Male NPT x 2" Female NPT	100	1½"	\$60.11
BVSFMT200	2" Male Adapter x 2" Male NPT	100	1½"	\$63.96
BVSFHB200	2" Male Adapter x 2" Male Hose Barb	100	1½"	\$66.64



BVSMT200

## 6 BOLT POLYPROPYLENE BOLTED BALL VALVE

Part #	Port	Max PSI	Fitting Size	Opening Thru Ball	Cost
BV200FP	Full	150	2"	2"	\$76.89
BV300	Standard	150	3"	2½"	\$123.78
BV300FP	Full	150	3"	3"	\$183.75
BV400	Standard	75	4"	3½"	\$401.60



BVSF200

## 4 BOLT POLYPROPYLENE BOLTED BALL VALVE

Part #	Port	Max PSI	Fitting Size	Opening Thru Ball	Cost
BV050	Full	150	½"	¾"	\$38.52
BV075	Full	150	¾"	¾"	\$38.52
BV100	Standard	150	1"	¾"	\$38.52
BV100FP	Full	150	1"	1"	\$42.48
BV125	Standard	150	1¼"	1"	\$42.48
BV125FP	Full	150	1¼"	1½"	\$54.60
BV150	Full	150	1½"	1½"	\$54.60
BV200	Standard	150	2"	1½"	\$54.60

## 2" FULL PORT BALL VALVES

Part #	Fitting	Max PSI	Opening Thru Ball	Cost
BVSMT204FP	2" Male NPT x 2" Female NPT	100	2"	\$72.56
BVSF204FP	2" Male Adapter x 2" Female NPT	100	2"	\$72.56
BVS204FP	2" Female NPT x 2" Female NPT	100	2"	\$72.56
BVSFMT204FP	2" Male Adapter x 2" Male NPT	100	2"	\$72.56

## 3" STANDARD PORT BALL VALVES

Part #	Fitting	Max PSI	Opening Thru Ball	Cost
BMVSF300	3" Manifold Flange x 3" Male Adapter	100	2½"	\$148.32
BMVSMT300	3" Manifold Flange x 3" Male NPT	100	2½"	\$154.46
BVSMT300	3" Female NPT x 3" Male NPT	100	2½"	\$154.46
BVSF300	3" Female NPT x 3" Male Adapter	100	2½"	\$148.32
BVSFMT300	3" Male NPT x 3" Male Adapter	100	2½"	\$148.32



- 275 Gallon UN Transport Tanks (Reconditioned)
- 6" Top Lid
- 2" Bottom Valve
- Polyethylene Bottle
- Galvanized Steel Cage
- 40"W x 48"D x 45"H
- Call For Pricing

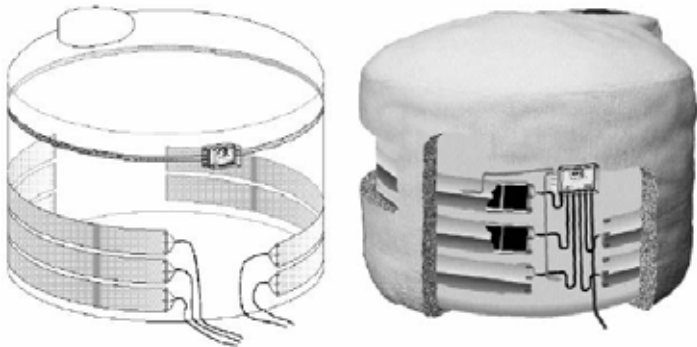
Part # - T9670CCS

Molded to fit full-size American made pickups, the 325 and 425 sizes now have low profiles for better rear vision and feature fill openings offset to the side of the tank for safe and easy access. Tough circular design adds strength. The 210 gallon tanks fits both "mini" pickups as well as full-size models.



#### PICKUP TRUCK TANKS

Part #	Gallons	Diameter	Height	Fill Opening	Price
T0904N	210	60" / 51"	28"	8"	\$442
T0908N	325	62"	32"	8"	\$661
T0912N	425	65"	37"	8"	\$773



Keep your liquids at nominal temperature this winter. Custom heat tracing panels can be installed to virtually any size tanks. Latex mastic coating is applied to the external tank surface to achieve the correct "R" value.

Call Today for pricing and availability.



500 gallon fuel tank shown in T6124D containment basin

Carbon Steel Fuel Tanks Available in 3 popular sizes, 280 Gallon, 500 Gallon and 1000 Gallon. Available in Single wall and Double wall, Also available with or without UL Label. All Carbon Steel Fuel tanks include Roll Over Brackets.

Call for current pricing.

**"YOUR SPECIALISTS IN LIQUID HANDLING PRODUCTS"**

**1-800-346-7867**